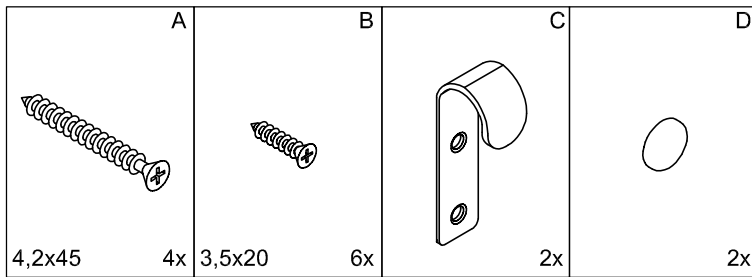
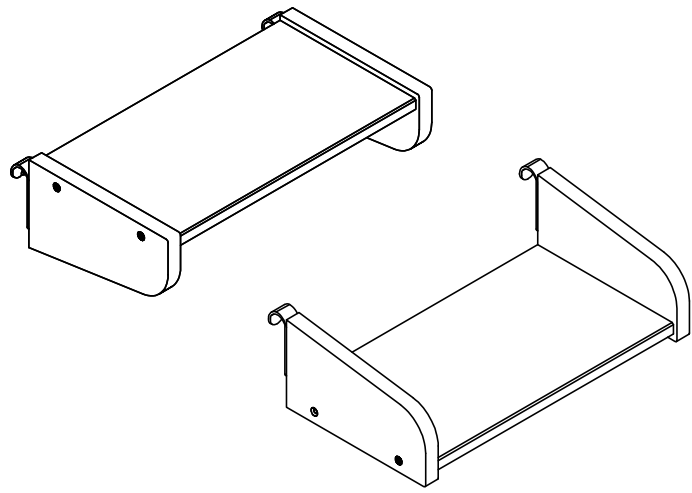
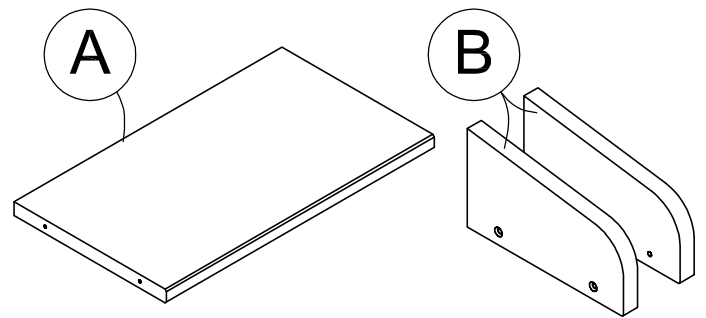
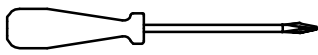


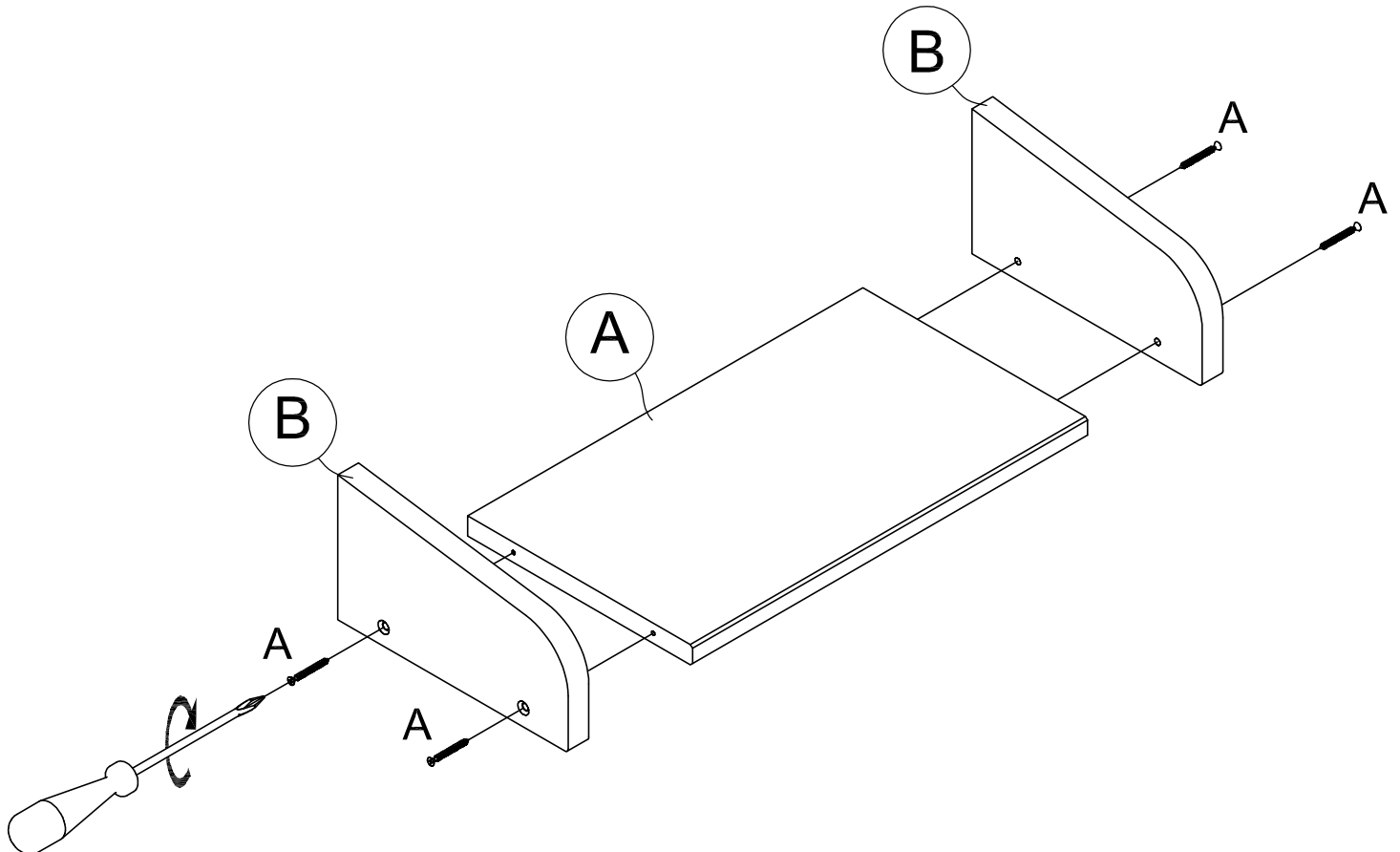
Clip on Shelf

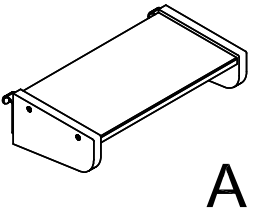


Tools that are needed



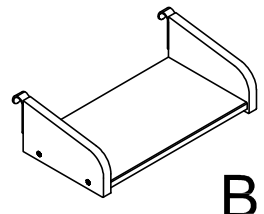
1





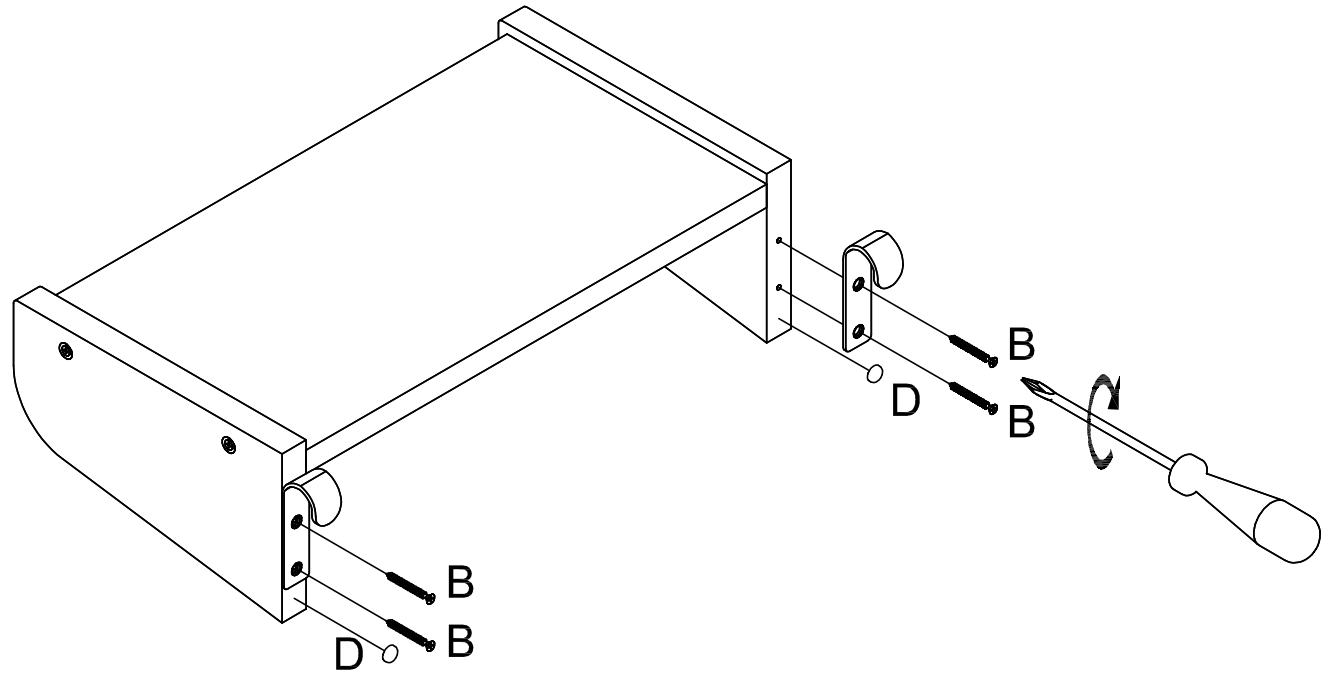
A

Please notice that you have two options on how to assemble the shelf, A or B. Please follow the instructions of your chosen options.

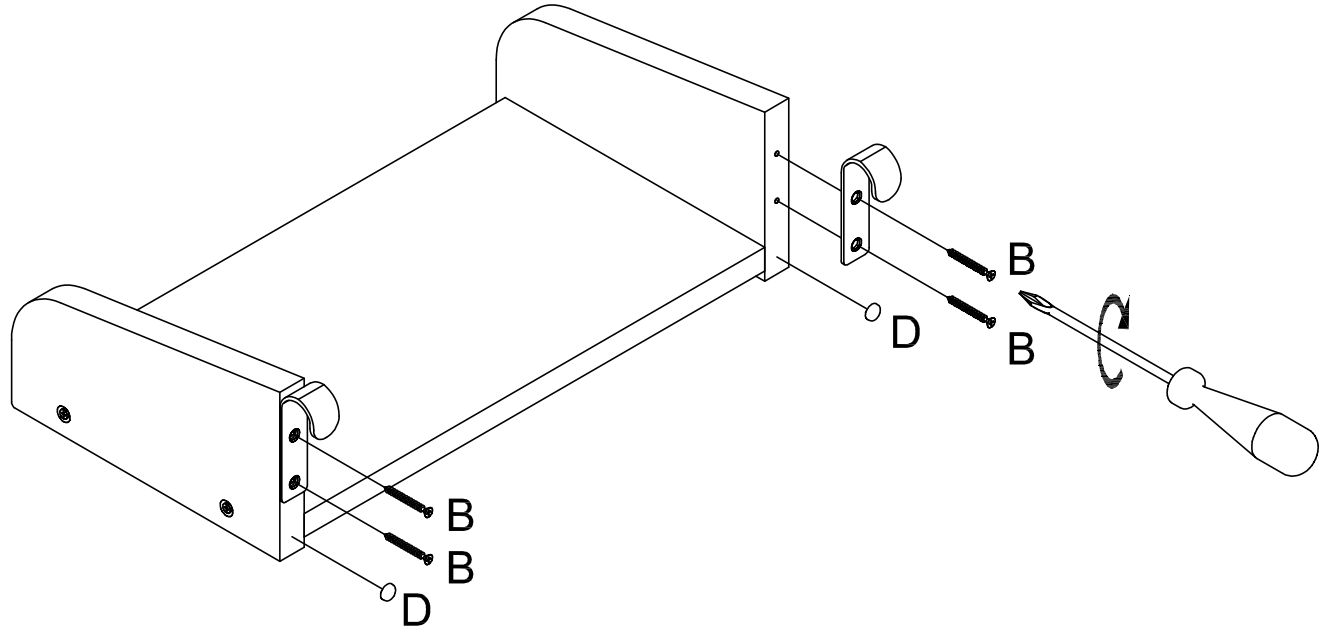


B

2A

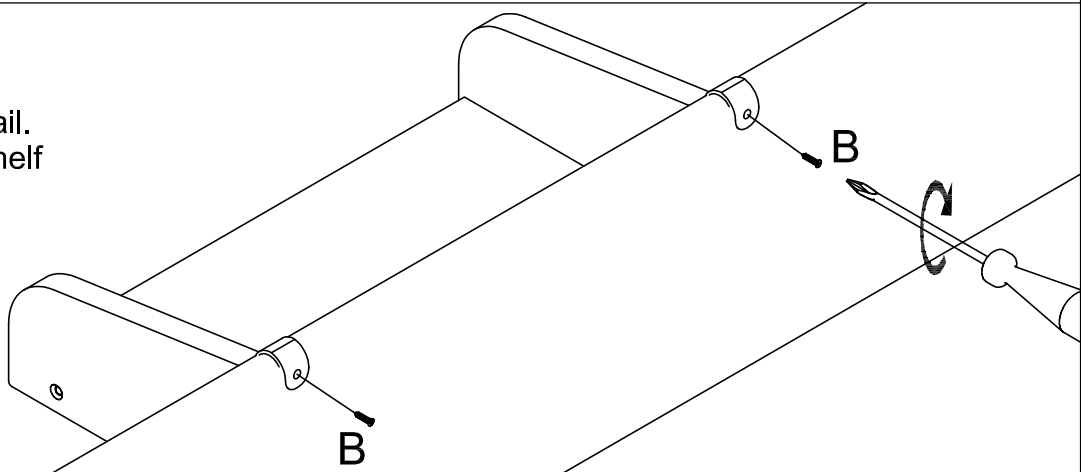


2B



3

Please fasten the shelf to the slat support rail or the safety rail. For safety please mount the shelf away from the ladder.





Customer Notice

Congratulations on your recent purchase of furniture!

Customer Service:

For any spare or missing parts requests please contact us through either:

Phone: 01274 809402

Email: service@kids-avenue.co.uk

By Post: Kids-Avenue, The Old Mill House, Dockfield Rd, Shipley, BD17 7AD

(Our office is open during normal working hours Mon-Fri 9.00am – 5.00pm)

Please ensure that you provide all product information to avoid delays in processing. We require:

Product Name

Colour

Part No required (from assembly instructions)

Quantity Required

Your details including; Name, Address, Postcode and Contact Number

Our product control team has ensured a high quality product that we are sure you will be pleased with. Any components produced from solid wood will contain knots, which is a natural feature and not a defect.